

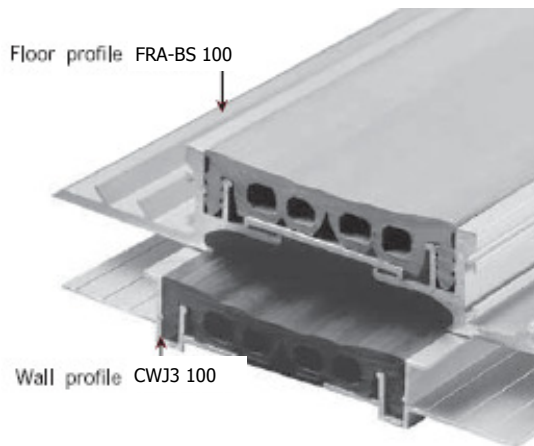
# X-Joint CWJ3 Series

Extruded aluminum/PVC expansion joints for interior joints on walls and ceilings with gypsum board before plastering

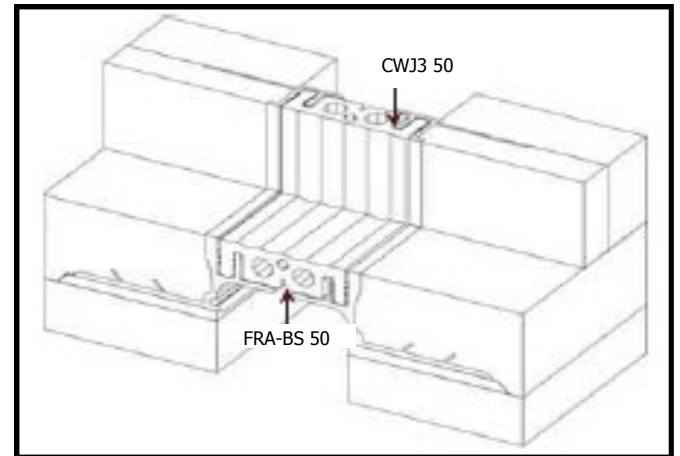
401150114

## Product Description

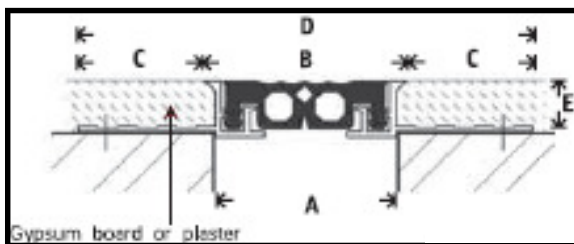
X-Joint CWJ3 series are medium movement capacity pre-engineered aluminum/polymer joint profiles for use in walls and ceilings in internal applications when the joint is to be installed with gypsum or other building boards prior to plastering and painting. They have been developed for use in conjunction with the FRA-BS / FRA-SF Series. They are maintenance free and are suitable for industrial and commercial applications.



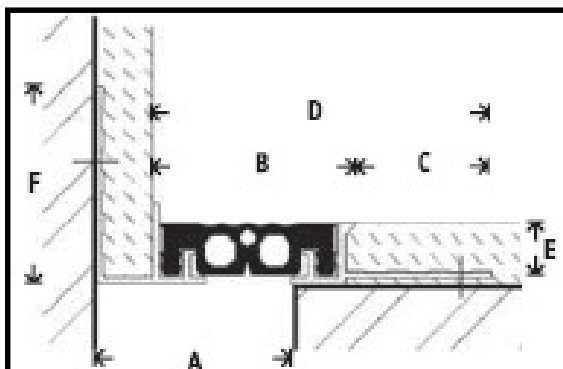
## CWJ3 & FRA-BS



## CWJ3 Series



## CWJ3/C Series



Type	A	B	C	D	E	Total Movement*
<b>CWJ3 20</b>	20	25	37	99	10	15
<b>CWJ3 30</b>	30	35	37	110	13	20
<b>CWJ3 50</b>	50	56	35	126	13	30
<b>CWJ3 75</b>	75	84	35	154	13	36
<b>CWJ3 100</b>	100	111	32	175	13	34
<b>CWJ3 125</b>	125	140	35	210	13	64
<b>CWJ3 150</b>	150	165	35	235	13	90
<b>CWJ3/C 20</b>	20	22	37	59	10	15
<b>CWJ3/C 30</b>	30	32	37	68	13	20
<b>CWJ3/C 50</b>	50	53	35	88	13	30
<b>CWJ3/C 75</b>	75	78	35	113	13	36
<b>CWJ3/C 100</b>	100	105	32	136	13	34
<b>CWJ3/C 125</b>	125	130	35	165	13	64
<b>CWJ3/C 150</b>	150	155	35	190	13	90

All dimensions are in mm

\* Movements do not take into consideration PVC elongation at break (ISO R 527)

---

## Material

Anodized aluminium quality 60.63.50 in neutral colour in 3m long pieces.

Special PVC insert resistant to sunlight in black, grey and beige (other colors upon request) in 20m rolls.

## Packaging

3m long

## Installation Guidelines

X-Calibur provides detailed method statements on all its products for use in various applications. These must be referred to prior to starting work.

Wherever possible install the expansion joint module at the mid-point temperature at which will be the joint will be operated.

It is essential that the joint is installed perfectly level and is well anchored in order to perform correctly.

## Health and Safety

**This product is for industrial use only by trained operatives. It is not considered hazardous if used correctly.**

## Authorized Technical Specialist

Please note that only X-Calibur Authorized Technical Support Specialists ('ATSS') are permitted to change any of the information in this data sheet or to provide written recommendations concerning the use of this product. Visit [www.x-calibur.net](http://www.x-calibur.net) for a full list of X-Calibur ATSS.

## Datasheet Validity

X-Calibur makes modifications to its product datasheets on a continuous basis. Please check the datasheet update section on [www.x-calibur.net](http://www.x-calibur.net) to ensure you have the latest version.

## Warranties

X-Calibur supplies products they comply with the Properties shown on the current datasheets. In the unlikely event that products supplied are proved not to comply with these properties, then we will replace the non-compliant product or refund the purchase price. X-Calibur does not warrant or guarantee the installation of the products as it does not have control over the installation or end use of the products. Any suspected defects must be reported to X-Calibur in writing within five working days of being detected. X-Calibur Construction Chemistry Inc. **makes no warranty as to merchantability or fitness for a particular purpose and this warranty is in lieu of all other warranties express or implied.** X-Calibur Construction Chemistry Inc. shall not be liable for damages of any sort including remote or consequential damages, down time, or delay.