

Formerly known as
X-Seal SIP Joint Inserts

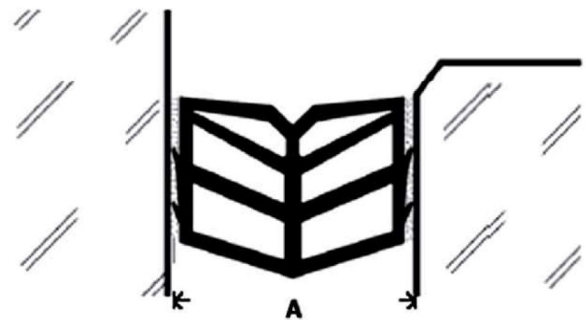
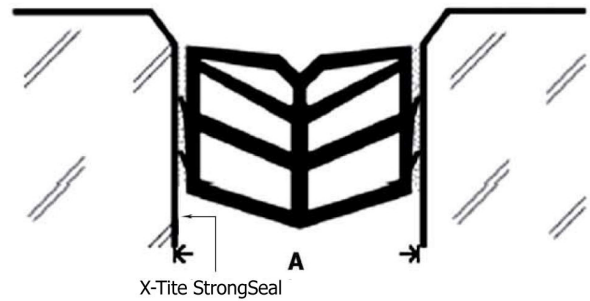
X-Joint EPS

Pre-formed expansion joint seals for use in mechanical expansion joints

40510214

Product Description

X-Joint EPS are a range of pre-formed joint seals designed to act in compression to provide lasting durable waterproof movement joints in mechanical expansion joints. They are extruded from U.V. stabilized PVC and are resistant to most chemicals found on highways such as engine oils, de-icing salts etc.



Advantages

- Excellent recovery
- Maintenance free
- UV resistant
- Resistant to abrasion and puncture
- Easily to install
- Long lasting

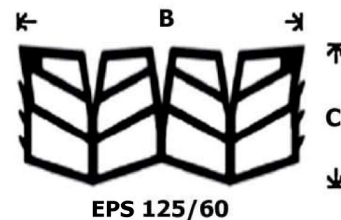
Typical Properties

Tensile Strength	>5 MPa
Elongation at break	> 300%
Shore A Hardness	73±2

EPS Series

All dimensions are in mm

	A	B	C	Total movement
EPS 20/20	10-15	20	20	20
EPS 30/30	15-20	30	30	30
EPS 40/35	25-30	40	35	40
EPS 50/40	30-40	50	40	50
EPS 65/50	40-50	65	50	65
EPS 100/48	60-80	100	48	100
EPS 125/60	80-100	125	60	120



Color

Black, grey and beige.

Packaging

Rolls of 20 meters.

Design Considerations

To function correctly, Joint seals size must be selected which can accommodate the total movement anticipated from the time of installation.

Because X-Joint EPS operates between specified maximum and minimum width limits, the width of the housing containing the seal (gap set) at the time of construction must be calculated to enable the seal to accommodate the plus and minus elements of the total movement. Account must therefore be taken of the total effective temperature range to which the deck slab will be subject and the relative effective deck temperature at the time of setting the gap. Wherever possible, the gap setting should be left until the greater part of the shrinkage and creep has occurred. If however, it is necessary to set the gap at an earlier stage then allowance must be made for that part of the irreversible movement still to occur by undersetting the calculated gap set by an appropriate amount.

A X-Joint EPS of adequate size must be chosen to accommodate the sum of the total thermal movement plus the part of the irreversible movement still to occur.

A further allowance should be made for inaccuracies in determining the effective deck temperature when setting the gap, normally $\pm 5^{\circ}\text{C}$, and for construction tolerances in forming the housing, generally $\pm 1.5\text{mm}$. (Combined gap setting tolerances.)

Installation Guidelines

X-Calibur provides detailed method statements on all its products for use in various applications. These must be referred to prior to starting work.

Wherever possible install the expansion joint module at the mid-point temperature at which will be the joint will be operated.

It is essential that the joint is installed perfectly level and is well anchored in order to perform correctly.

Health and Safety

This product is for industrial use only by trained operatives. It is not considered hazardous in normal use. Please refer to the Material Safety Datasheet before use. The MSDS can be obtained via our website www.x-calibur.us

Authorized Technical Specialist

Please note that only X-Calibur Authorized Technical Specialists ('ATSS') are permitted to change any of the information in this data sheet or to provide written recommendations concerning the use of this product. Visit www.x-calibur.us for a full list of X-Calibur ATSS.

Datasheet Validity

X-Calibur makes modifications to its product datasheets on a continuous basis. Please check the datasheet update section on www.x-calibur.us to ensure you have the latest version.

Warranties

X-Calibur supplies products that comply with the properties shown on the current datasheets. In the unlikely event that products supplied are proved not to comply with these properties, then we will replace the non-compliant product or refund the purchase price. X-Calibur does not warrant or guarantee the installation of the products as it does not have control over the installation or end use of the products. Any suspected defects must be reported to X-Calibur in writing within five working days of being detected. X-Calibur Construction Chemistry Inc. **makes no warranty as to merchantability or fitness for a particular purpose and this warranty is in lieu of all other warranties express or implied.** X-Calibur Construction Chemistry Inc. shall not be liable for damages of any sort including remote or consequential damages, down time, or delay.