

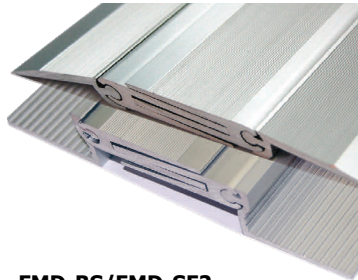
X-Joint FMD-BS/FMD-SF2 Series

Extruded aluminum joints for heavy pedestrian and slow moving vehicular traffic

Product Description

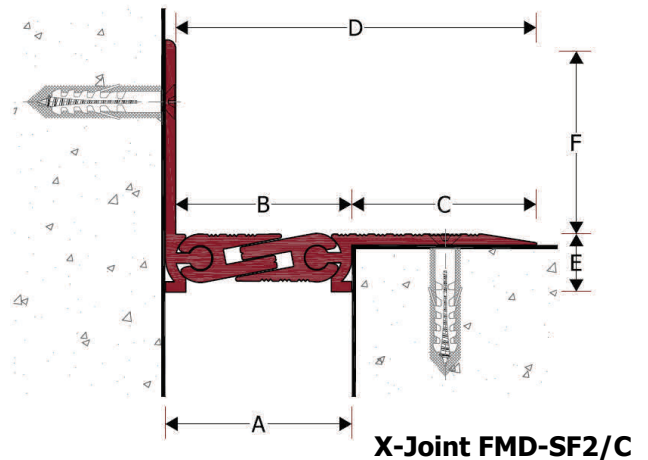
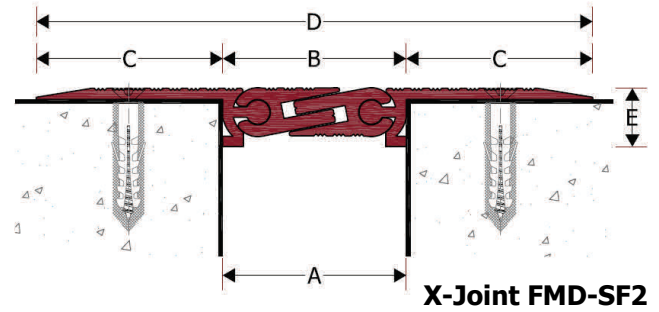
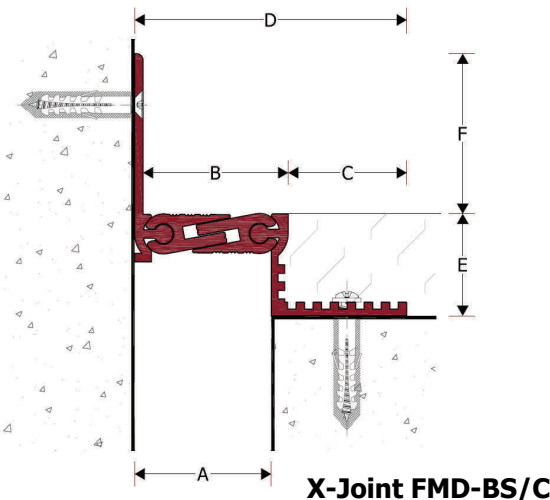
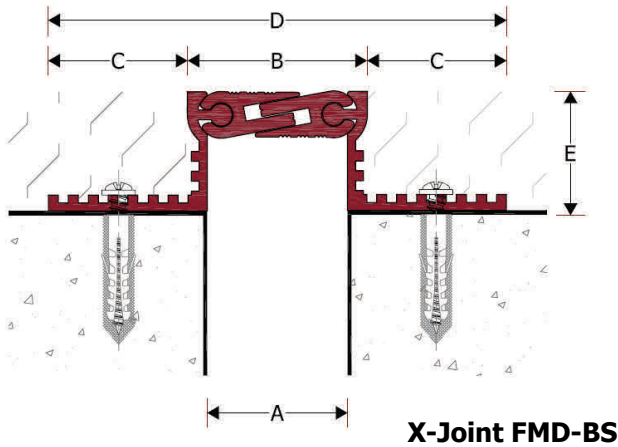
are pre-engineered aluminum expansion joint modules for use in horizontal joints subject to high pedestrian and slow moving vehicular traffic. They are maintenance free and are suitable for use in industrial and commercial building applications.

X-Joint FMD-BS series is used before installation of the screed floor finish.



FMD-BS/FMD-SF2

X-Joint FMD-SF2 series is used for finished floors.



X-Joint FMD-BS Series (Screed Installation)

Type	A	B	C	D	E	F	Total movement
FMD-BS 35	35	45	35	115	16/30	-	13
FMD-BS 50	50	60	35	130	16/30	-	16
FMD-BS 100	100	114	48	210	17/30	-	40
FMD-BS 150	150	164	48	260	17/30	-	80

X-Joint FMD-BS/C Series (Screed Installation)

Type	A	B	C	D	E	F	Total movement
FMD-BS/C 40	40	42	35	77	16/30	47	13
FMD-BS/C 50	50	52	35	87	16/30	47	16
FMD-BS/C 100	100	104	48	152	17/30	44	40
FMD-BS/C 150	150	154	48	202	17/30	44	80

All dimensions are in mm

X-Joint FMD-SF2 (Surface Installation)

Type	A	B	C	D	E	F	Total movement
FMD-SF2 45	45	45	45	135	14	-	13
FMD-SF2 60	60	60	45	150	14	-	16
FMD-SF2 100	100	100	56	212	16	-	40
FMD-SF2 150	150	150	56	262	16	-	80

X-Joint FMD-SF2/C (Surface Installation)

Type	A	B	C	D	E	F	Total movement
FMD-SF2/C 45	45	43	45	88	14	47	13
FMD-SF2/C 60	60	58	45	103	14	47	16
FMD-SF2/C 100	100	97	56	153	16	44	40
FMD-SF2/C 150	150	147	56	203	16	44	80

All dimensions are in mm

Material

Anodized aluminium 6063/T6

FMD-SF2 profiles are also available in mill finish aluminum.

Packaging

All the profiles are supplied as standard 4m long modules. Custom lengths can be produced to order.

Installation Guidelines

X-Calibur provides detailed method statements on all its products for use in various applications. These must be referred to prior to starting work.

Wherever possible install the expansion joint module at the mid-point temperature at which will be the joint will be operated.

It is essential that the joint is installed perfectly level and is well anchored in order to perform correctly.

Health and Safety

This product is for industrial use only by trained operatives. It is not considered hazardous if used correctly.

Authorized Technical Specialist

Please note that only X-Calibur Authorized Technical Support Specialists ('ATSSs') are permitted to change any of the information in this data sheet or to provide written recommendations concerning the use of this product. Visit www.x-calibur.us for a full list of X-Calibur ATSSs.

Datasheet Validity

X-Calibur makes modifications to its product datasheets on a continuous basis. Please check the datasheet update section on www.x-calibur.us to ensure you have the latest version.

Warranties

X-Calibur supplies products they comply with the Properties shown on the current datasheets. In the unlikely event that products supplied are proved not to comply with these properties, then we will replace the non-compliant product or refund the purchase price. X-Calibur does not warrant or guarantee the installation of the products as it does not have control over the installation or end use of the products. Any suspected defects must be reported to X-Calibur in writing within five working days of being detected. X-Calibur Construction Systems Inc. **makes no warranty as to merchantability or fitness for a particular purpose and this warranty is in lieu of all other warranties express or implied.** X-Calibur Construction Systems Inc. shall not be liable for damages of any sort including remote or consequential damages, down time, or delay.



CERTIFICATE NO: 50926