

Formerly known as
X-Joint F.AL-PL Series

X-Joint FMD-SF Series

Extruded anodized aluminum joint covers for floors

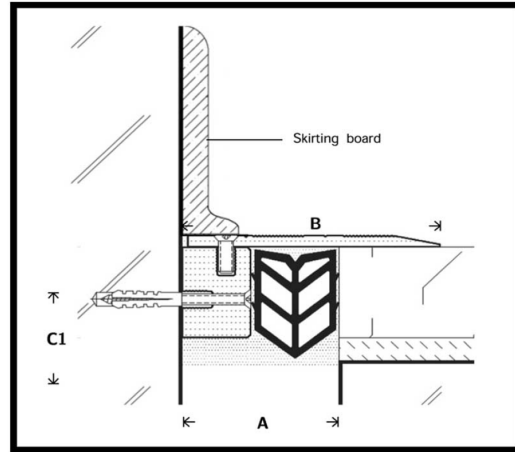
40370114

Product Description

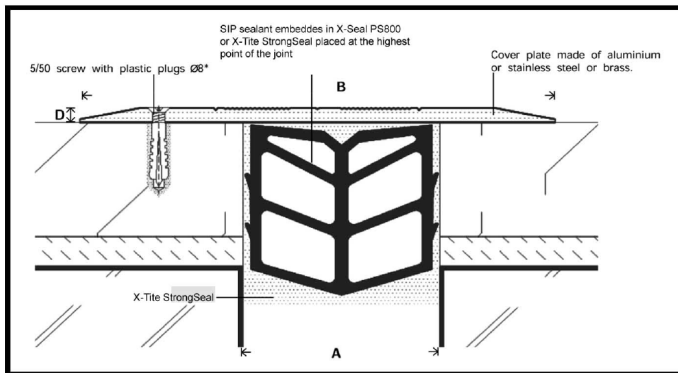
X-Joint FMD-SF Series are extruded anodized joint covers used to cover exterior and interior joints on floor in areas with heavy pedestrian traffic. It is available in striated or smooth finish.



FMD-SF/C with skirting



FMD-SF



FMD-SF Series

Type	A	B	C	D	Total movement
FMD-SF 50	50	120	-	5	75
FMD-SF 75	75	170	-	5	125
FMD-SF 100	100	170	-	5	125
	100	220	-	5	175
FMD-SF 125	125	220	-	5	175
FMD-SF 150	150	220	-	5	175
FMD-SF/C 50	50	69	50	4	75
FMD-SF/C 75	75	119	50	4	125
FMD-SF/C 100	100	119	50	4	125
FMD-SF/C 125	125	169	50	4	175
FMD-SF/C 150	150	169	50	4	175

All dimensions are in mm

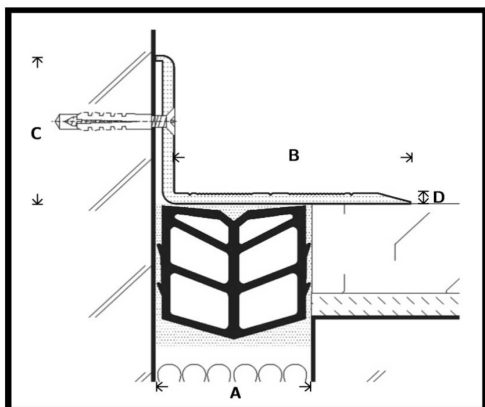
Material

60.63.50 Anodized aluminum silver matt finish
Can also be supply in mill finish aluminum.

Packaging

All the profiles are supplied as standard 4m long modules.
Custom lengths can be produced to order.

FMD-SF/C



Installation Guidelines

X-Calibur provides detailed method statements on all its products for use in various applications. These must be referred to prior to starting work.

Wherever possible install the expansion joint module at the mid-point temperature at which will be the joint will be operated.

It is essential that the joint is installed perfectly level and is well anchored in order to perform correctly.

Health and Safety

This product is for industrial use only by trained operatives. It is not considered hazardous if used correctly.

Authorized Technical Specialist

Please note that only X-Calibur Authorized Technical Support Specialists ('ATSS') are permitted to change any of the information in this data sheet or to provide written recommendations concerning the use of this product. Visit www.x-calibur.us for a full list of X-Calibur ATSSs.

Datasheet Validity

X-Calibur makes modifications to its product datasheets on a continuous basis. Please check the datasheet update section on www.x-calibur.us to ensure you have the latest version.

Warranties

X-Calibur supplies products they comply with the Properties shown on the current datasheets. In the unlikely event that products supplied are proved not to comply with these properties, then we will replace the non-compliant product or refund the purchase price. X-Calibur does not warrant or guarantee the installation of the products as it does not have control over the installation or end use of the products. Any suspected defects must be reported to X-Calibur in writing within five working days of being detected. X-Calibur Construction Chemistry Inc. **makes no warranty as to merchantability or fitness for a particular purpose and this warranty is in lieu of all other warranties express or implied.** X-Calibur Construction Chemistry Inc. shall not be liable for damages of any sort including remote or consequential damages, down time, or delay.