

Formerly known as
X-Joint 3F-AM/3FAS-AM Series

Technical Data Sheet

X-Joint FRA-BS/FRA-SF Series

Extruded aluminum PVC floor expansion joints for heavy pedestrian and slow moving vehicular traffic

40570413

Product Description

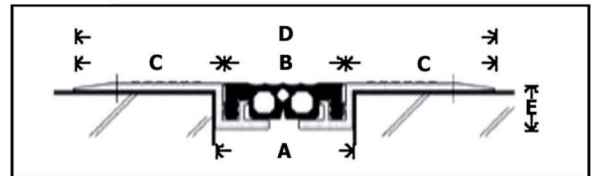
X-Joint FRA-SF series are pre-engineered aluminum expansion joint modules for use in horizontal joints subject to high pedestrian and slow moving vehicular traffic. They are maintenance free and are suitable for use in industrial and commercial building applications.

The FRA-BS series is used before installation of the screed floor finish.

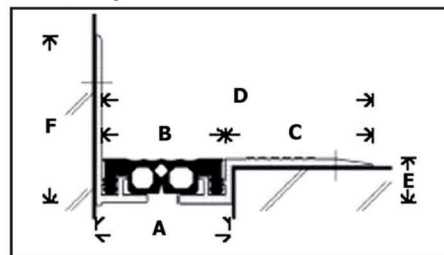
The FRA-SF series is used for finished floors



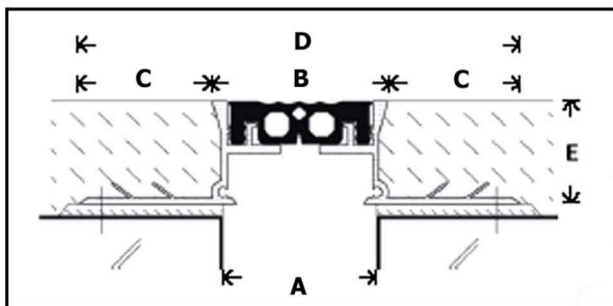
FRA-SF



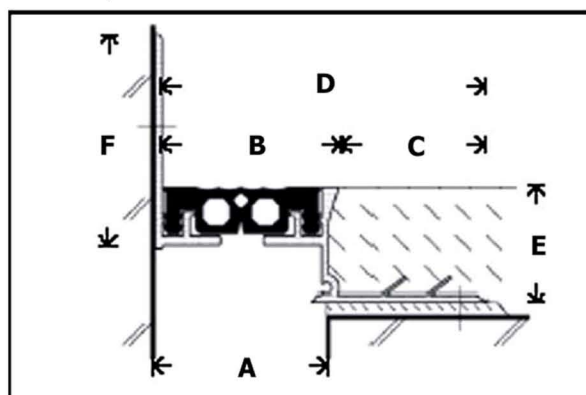
FRA-SF/C



FRA-BS



FRA-BS/C



FRA-BS Series (Screed Installation)

Type	A	B	C	D	E*	F	Total movement
FRA-BS 20	20	20	38	98	30/12	-	12
FRA-BS 30	30	35	45	120	31	-	20
FRA-BS 50	50	56	42	140	33	-	30
FRA-BS 60	60	69	55	179	35	-	30
FRA-BS 75	75	84	55	194	35	-	36
FRA-BS 100	100	111	55	221	33	-	34
FRA-BS 125	125	140	54	248	33	-	64
FRA-BS 150	150	165	54	273	33	-	90

* Other height is available upon request

FRA-BS/C Series (Screed Installation)

Type	A	B	C	D	E*	F	Total movement
FRA-BS/C 20	20	18	38	56	30/12	37	12
FRA-BS/C 30	30	30	45	73	31	63	20
FRA-BS/C 50	50	51	42	93	33	63	30
FRA-BS/C 60	60	61	55	116	35	68	30
FRA-BS/C 75	75	76	55	131	35	68	36
FRA-BS/C 100	100	104	55	159	33	83	34
FRA-BS/C 125	125	129	54	183	33	83	64
FRA-BS/C 150	150	154	54	208	33	83	90

* Other height is available upon request

FRA-SF Series (Surface Installation)

Type	A	B	C	D	E	F	Total movement
FRA-SF 20	20	15	38	90	12	-	12
FRA-SF 30	30	26	43	112	16	-	20
FRA-SF 50	50	46	55	156	17	-	30
FRA-SF 60	60	54	58	170	30	-	30
FRA-SF 75	75	69	58	185	30	-	36
FRA-SF 100	100	96	65	226	33	-	34
FRA-SF 125	125	115	75	265	33	-	64
FRA-SF 150	150	140	75	290	33	-	90

FRA-SF/C series (Surface Installation)

Type	A	B	C	D	E	F	Total movement
FRA-SF/C 20	20	15	38	54	12	40	12
FRA-SF/C 30	30	26	43	69	16	63	20
FRA-SF/C 50	50	46	55	101	17	63	30
FRA-SF/C 60	60	54	58	112	30	68	30
FRA-SF/C 75	75	65	58	123	30	68	36
FRA-SF/C 100	100	96	65	161	33	83	34
FRA-SF/C 125	125	116	75	191	33	83	64
FRA-SF/C 150	150	141	75	216	33	83	90

Material

Joint body: 60.63.50 Aluminum

*Joint insert: Anti-microbial PVC

* can also be supplied in EPDM neoprene rubber.

Color

Joint body: Natural anodized aluminum.

Joint insert: Black, grey and beige.

Custom colors available on request.

Packaging

All the profiles are supplied as standard 4m long modules. Custom lengths can be produced to order

Installation Guidelines

X-Calibur provides detailed method statements on all its products for use in various applications. These must be referred to prior to starting work.

Wherever possible install the expansion joint module at the mid-point temperature at which will be the joint will be operated.

It is essential that the joint is installed perfectly level and is well anchored in order to perform correctly.

Health and Safety

This product is for industrial use only by trained operatives. It is not considered hazardous if used correctly.

Authorized Technical Specialist

Please note that only X-Calibur Authorized Technical Support Specialists ('ATSS') are permitted to change any of the information in this data sheet or to provide written recommendations concerning the use of this product. Visit www.x-calibur.us for a full list of X-Calibur ATSS.

Datasheet Validity

X-Calibur makes modifications to its product datasheets on a continuous basis. Please check the datasheet update section on www.x-calibur.us to ensure you have the latest version.

Warranties

X-Calibur supplies products they comply with the Properties shown on the current datasheets. In the unlikely event that products supplied are proved not to comply with these properties, then we will replace the non-compliant product or refund the purchase price. X-Calibur does not warrant or guarantee the installation of the products as it does not have control over the installation or end use of the products. Any suspected defects must be reported to X-Calibur in writing within five working days of being detected. X-Calibur Construction Systems Inc. **makes no warranty as to merchantability or fitness for a particular purpose and this warranty is in lieu of all other warranties express or implied.** X-Calibur Construction Systems Inc. shall not be liable for damages of any sort including remote or consequential damages, down time, or delay.



CERTIFICATE NO: 50926